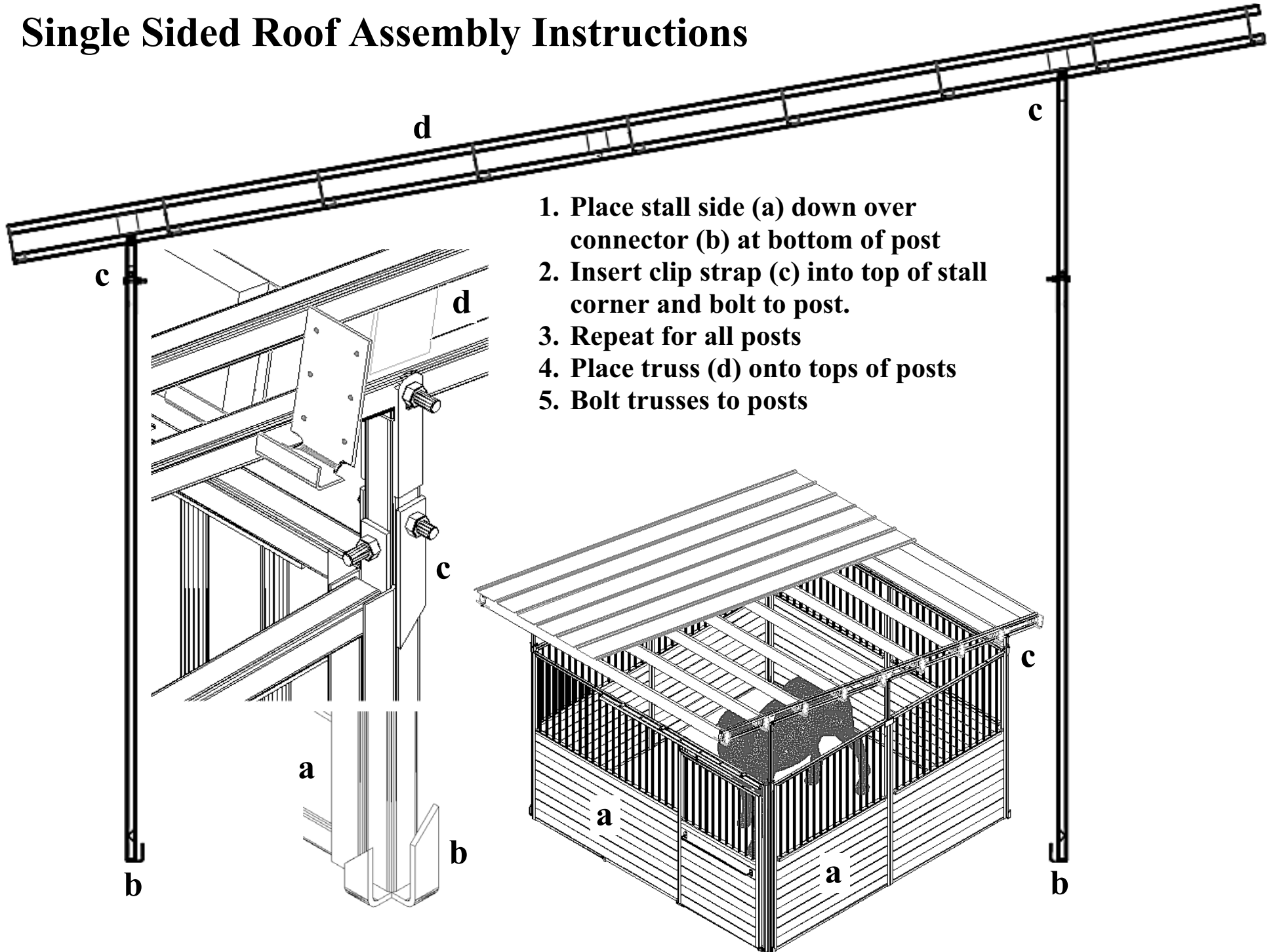
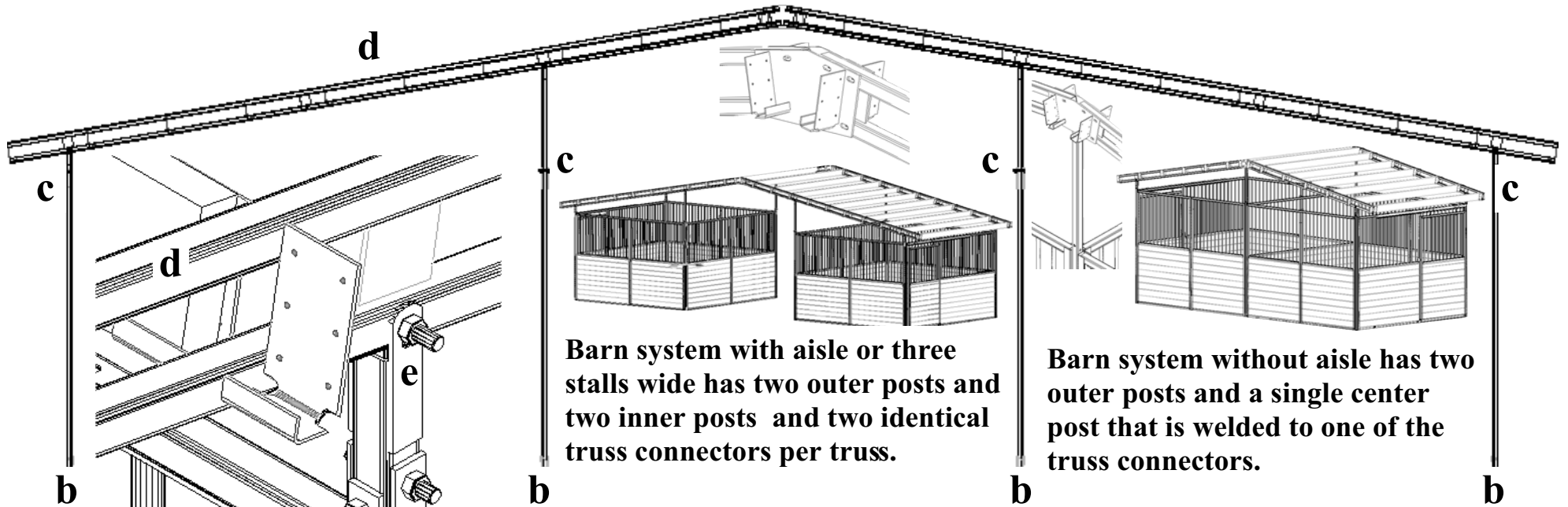


# Single Sided Roof Assembly Instructions



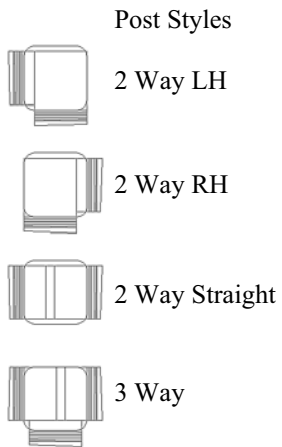
# Double Sided Roof Assembly Instructions



Barn system with aisle or three stalls wide has two outer posts and two inner posts and two identical truss connectors per truss.

Barn system without aisle has two outer posts and a single center post that is welded to one of the truss connectors.

1. Place stall side (a) down over connector (b) at bottom of post
2. Insert clip strap (c) into top of stall corner and bolt to post.
3. Repeat for all posts
4. Place truss (d) onto tops of posts
5. Bolt trusses to posts (e)



Heavy Duty Option will have short posts that bolt in the middle of the truss span and fit over the top of the stall side.

