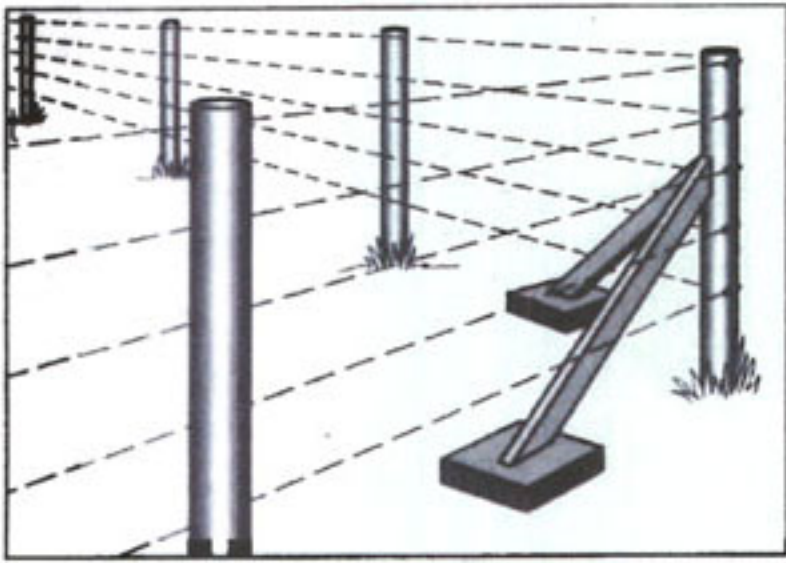
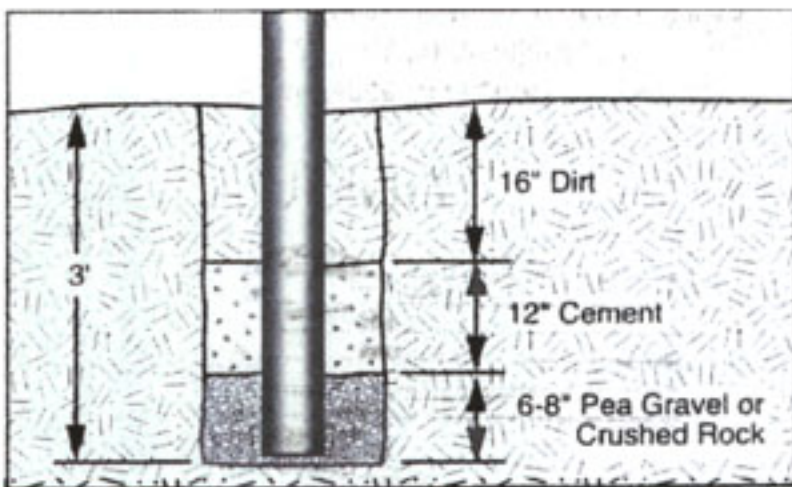


Post Installation: Wood Posts

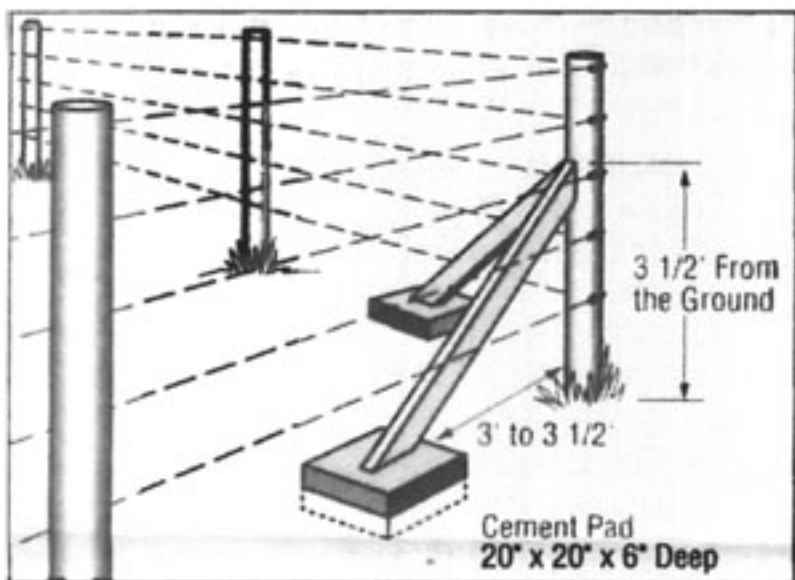


1. Post Installation Start your Finish-Line Safe Horse Fence installation by setting end and corner posts, and line posts.

Choice of Posts - Posts should be high quality pressure treated round posts or those of composite materials. End and corner posts should be heavy duty composite posts 4 to 6 inches in diameter or round wood posts 5 to 6 inches in diameter. Line posts should be at least 3 inches in diameter. All posts should be 7 to 8 feet long. While not recommended as preferred post material, Finish-Line Fencing can be installed on metal posts if the fencing is protected from rubbing against the metal, and the metal post is smooth. Excessive rubbing against metal posts and staples can cause Finish-Line Fencing to eventually break. If metal posts are used, choose a synthetic material to insulate and protect Finish-Line Fencing.



Setting End and Corner Posts - Set each end and corner post in a hole 3 feet deep. Fill around the posts first with soil, crushed rock, or pea gravel (6 to 8 inches). Tamp with a bar to compact the material. Next, add redi-mix cement (12 inches), or more crushed rock or pea gravel tamped every 4 to 6 inches. **Setting Line Posts** - Set each line post 2 1/2 to 3 feet, depending on soil conditions. Maximum spacing for line posts should not be 10 feet (for foals, 8 feet).



2. Post Bracing Using the same post material as for end and corner posts, construct an angle support brace as follows. Mark the end post 3 1/2 feet from ground level to indicate where the bottom of the support brace will be nailed diagonally to the end post. The support brace should enter the ground approximately 3 1/2 feet from the end post, and be anchored in a cement pad (20" x 20" x 6") or anchored with a redwood stake (4" x 8" x 18") driven into the ground against the brace. (If available, channel iron 6 to 8 inches wide by 18 inches long can be used.) Attach Finish-Line Horse Fencing to braces in the same manner as line post strand attachment. (If through-the-post installation is used, drill holes through the support brace for lower fencing strands to pass through to the end post.)